

## Turbo

The Turbo is an economical and efficient floodlight for high mast area flood lighting, specially designed for ease of maintenance and to provide the highest levels of lighting efficiency.



### Materials and Finish

- Features
- Die-cast LM6 aluminium housing and control gear
- box (treated mild steel powder coated in 1 kW version)
- Hot dipped galvanized bracket
- Stainless steel clips
- Toughened 4 mm thick front glass
- Heat resistant premium bonded silicon rubber gaskets

### Features

- Ingress protection: IP 65
- Easy installation and maintenance through side re-lamping
- Super pure aluminium reflector in asymmetrical narrow, medium and wide beam

### Suitable Lamp Types

- SON-T 250/400/600/1 000W
- HPI-T 250/400/1 000W

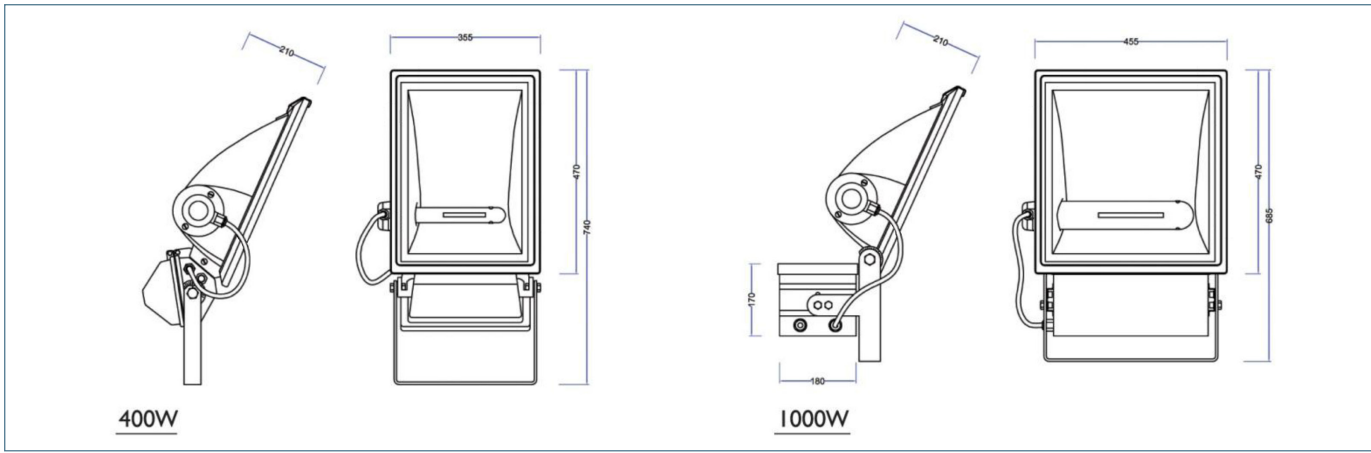
### Installation

- The Turbo can be easily installed onto high masts or poles
- Its simple electrical connection offers reliability
- Quick, easy access to lamp, without affecting beam adjustment, through the side lamp holder casting

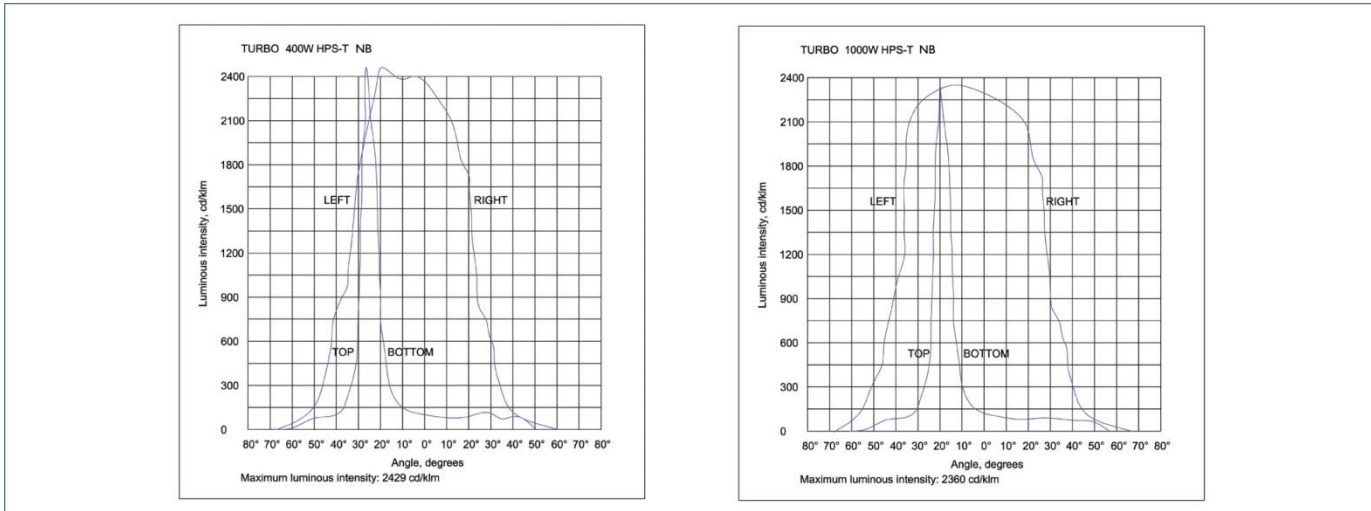
### Application Areas

- High mast lighting
- Area lighting
- Sports lighting
- Façade lighting

## Dimensions



## Photometric Data



## Accessories

- DLS – incorporated recessed miniature daylight switch
- NEMA – daylightswitch attached to gearbox
- PV - various colours available on request, specify colour
- RGB - remote gear box
- RCT - remote gear tray
- SSG - stainless steel gearbox (1 kW version)
- WG - wireguard

## Ordering Data

Full product name	Lumen	Weight
TURBO I*SON-T 250W	28 000	17.9
TURBO I*SON-T 400W	48 000	18
TURBO I*SON-T PP 600W	90 000	6.5*
TURBO I*SON-T 1000W	130 000	6.5*
TURBO I*HPI-T 250W	19 000	17.9
TURBO I*HPI-T 400W	35 000	18
TURBO I*HPI-T 1000W	85 000	7.2*

\* = excludes gearbox of 22.4kg

Please specify :

- NB – narrow beam distribution
- MB – medium beam distribution
- WB – wide beam distribution

### EPIC LIGHTING

PO Box 50940, Wierda Park, 0149286  
 Research Rd, Unit 4, Pretoria West  
 087 711 0267 | info@epiclighting.co.za



www.epiclighting.co.za